

SNC-DH110

Network HD Camera — X series

SONY
make.believe

Compact and Affordable HD Security Camera

- Excellent 720p HD picture quality, supporting H.264 at 30 fps
- 1.3 Megapixel (1280 x 960) maximum resolution
- Three codecs (H.264, MPEG-4, JPEG) and a dual streaming capability
- 1/3.8 type progressive scan CMOS sensor incorporated to realize high image quality



HD 1.3M

KEY FEATURES

- Compact and stylish design for discreet surveillance solution.



- Electrical Day/Night function to switch to Day or Night mode depending on the light level.
- Stream Squared function to send two 4:3 aspect ratio videos in user-selectable resolutions up to SD simultaneously (Low-cost solution to replace two SD cameras located in a line).

Example



Dual Streaming

1st Streaming
VGA video of a whole



2nd Streaming
VGA video of a cropped area



- Analog monitor output (AV mini jack).
- Powered by PoE (Power over Ethernet) for simple installation.
- Recording software (RealShot Manager Lite) is bundled to start recording and monitoring instantly.
- ONVIF (Open Network Video Interface Forum) conformance that ensures greater interoperability and more flexibility in building multiple-vendor systems.



- Intelligent Motion Detection that supports DEPA.



Preliminary

Connect Your Vision

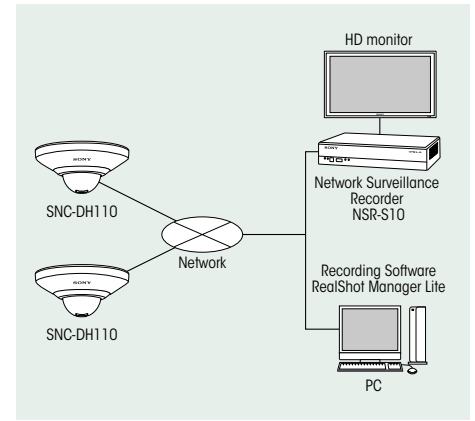
IPELA™

SPECIFICATIONS

SNC-DH110	
Camera	
Image device	1/3.8 type progressive scan CMOS sensor
Minimum illumination	TBD
Number of effective pixels (H x V)	1.3 Megapixel (1296x985)
Electronic shutter speed	1/2 s to 1/10000 s
Gain control	Auto
Exposure control	Auto, EV Compensation, Auto Slow Shutter
White balance mode	Auto (ATW, ATW-PRO), Preset, One-push WB, Manual
Lens type	Fixed
Horizontal viewing angle	80 degrees (Tentative)
Focal length	f=2.3 (Tentative)
F-number	F2.8 (Tentative)
Minimum objects distance	TBD
Pan angle	±170°
Tilt angle	0 degrees to 55 degrees (Tentative)
Camera Features	
Day/Night	Yes (Electrical D/N)
Noise reduction	Yes
Image	
Codec image size (H x V)	1280x960, 1280x720, 1024x768, 1024x576, 768x576, 720x576, 704x576, 800x480, 720x480, 640x480, 640x368, 384x288, 352x288, 320x240, 320x192, 176x144
Video compression format	H.264, MPEG-4, JPEG
Codec streaming capability	Dual streaming
Maximum frame rate	JPEG:30fps(1280x960) MPEG-4:30fps(1280x960) H.264:30fps(1280x960) (Tentative)
Scene Analytics	
Intelligent motion detection	Yes
Network	
Protocols	IPv4, IPv6, TCP, UDP, ARP, ICMP, IGMP, HTTP, HTTPS, FTP (client), SMTP, DHCP, DNS, NTP, RTP/RTCP, RTSP, SNMP (MIB-2)
ONVIF conformance	Yes
Number of clients	5
Authentication	IEEE802.1X
Analog Video Output	
Signal system	NTSC / PAL
Interface	
Ethernet	10BASE-T / 100BASE-TX (RJ-45)
Analog monitor output	AV mini jack
Sensor input	x 1
General	
Mass	150g (5.3 oz)
Dimensions	ø 106 x 50.5 mm (ø 4 1/4 x 2 1/8 inches)
Power requirements	PoE
Power consumption	2.4W
Starting temperature	0 °C to 50 °C (32°F to 122°F)
Working temperature	0 °C to 50 °C (32°F to 122°F)
Storage temperature	-20 °C to +60 °C (-4°F to +140°F)
Safety regulation	UL2044, FCC 15B Class B, IC Class B, IEC60950-1, EN55022(A)+EN55024+EN50130-4, VCCI Class B, C-Tick Class B (Tentative)
System Requirements	
Operating system	WindowsXP, WindowsVista (32bit), Windows7 (32bit)
Processor	Intel Core2 Duo 2 GHz or higher
Memory	1 GB or more
Web browser	Microsoft Internet Explorer Ver. 6.0, 7.0, or 8.0 Firefox Ver.3.5 (Plug-in free viewer only) Safari Ver.4.0 (Plug-in free viewer only) Google Chrome Ver.4.0 (Plug-in free viewer only)
Supplied Accessories	
CD-ROM (User's Guide, SNC Toolbox, RSM-Lite), Installation manual, B&P warranty booklet, Sensor input cable	

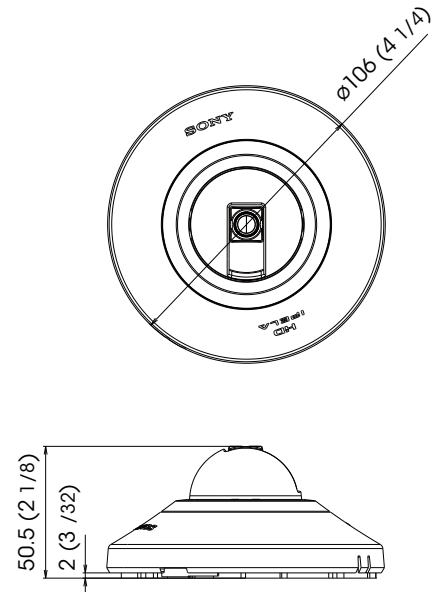
* The SNC-DH110 includes software developed by the OpenSSL Project for use in the OpenSSL Toolkit (<http://www.openssl.org/>).

SYSTEM CONFIGURATION



DIMENSIONS

Unit: mm (inches)



Distributed by

© 2010 Sony Corporation. All rights reserved.
 Reproduction in whole or in part without written permission is prohibited.
 Features and specifications are subject to change without notice.
 The values for weight and dimension are approximate.
 SONY and "make.believe" are registered trademarks of Sony Corporation.
 IPELA is a trademark of Sony Corporation.
 Windows, XP, and Vista are trademarks of Microsoft Corporation.
 Core is a trademark of Intel Corporation.
 All other trademarks are the property of their respective owners.